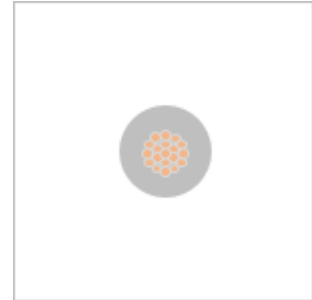
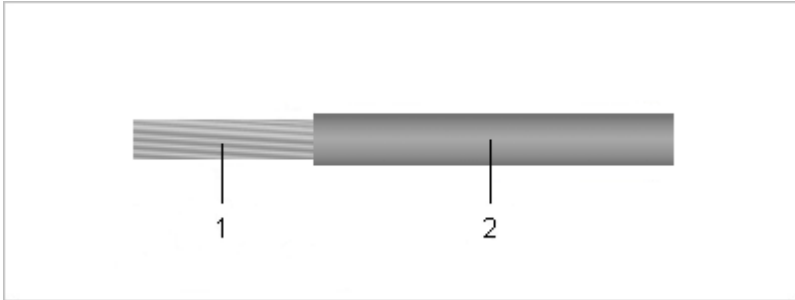


# DATASHEET

## **LiHv** Flexible wire



### **Structure**

- > 1 Stranded tinned copper conductor
- > 2 Halogen-free polyolefin (FRNC) core insulation, gray colour RAL 7035

### **Dimensions**

Conductor structure nominal	Outer Ø nominal [mm]	Conductor resistance at 20 °C [Ω/100m]	CU weight nominal [kg/km]	Weight approx. [kg/km]
1x0,14 mm <sup>2</sup>	1,0	<150,0	1,1	3
1x0,25 mm <sup>2</sup>	1,2	<75,0	2,1	4
1x0,34 mm <sup>2</sup>	1,6	<55,0	3,4	7
1x0,5 mm <sup>2</sup>	1,7	<42,0	4,4	8
1x0,75 mm <sup>2</sup>	2,2	<28,0	7,2	10

### **Application**


Flexible wire is used in various fields of electrical engineering, telecommunication systems, electronic equipments with properties limiting the generation and spread of fire and smoke.

This wire is preferably used for indoor installation, but also in the open air for fixed installation on outer walls of buildings - provided it is protected against direct exposure to the sun.

# DATASHEET

## LiHv Flexible wire

### Properties

- > Stranded tinned copper conductor, flame retardant, non-corrosive (*FRNC*) polyolefin insulated wire.
- > Wire is in accordance with standards:
  - EN 50575:2014 reaction to fire;
  - EN 13501-6 fire classification;
  - IEC 189-3 test voltage and insulation resistance.
- > Core insulation colour is gray or could be any colour.
- > The wire is REACH compliant as well as meeting the requirements of other legislation such as the RoHS Directive. The materials used in wire are cadmium-free and contain no silicone and do not represent health hazards and minimize the environmental impact.
- > The product is conformed with the Low Voltage Directive (*LVD*) 2014/35/EU of the European Parliament and of the Council ensures that electrical equipment within certain voltage limits provides a high level of protection for European citizens.
- >  Product meets all the legal requirements for CE marking and can be sold throughout the European Economic Area (*EEA*).

### Technical data

Peak working voltage:	500 V ( <i>0,14 mm<sup>2</sup></i> ), 900 V ( <i>&gt;0,14 mm<sup>2</sup></i> )
Operating voltage:	< 50 V AC
Test voltage:	1200 V eff. ( <i>0,14 mm<sup>2</sup>, AC 50 Hz</i> ), 2500 V eff. ( <i>&gt;0,14 mm<sup>2</sup>, AC 50 Hz</i> )
Temperature range:	Fixed installation -30 °C to +70 °C
Insulation resistance:	Min. 100 MΩ x km
Minimum bending radius:	Fixed installation 5 x wire Ø

### Packaging

In coil or drum.